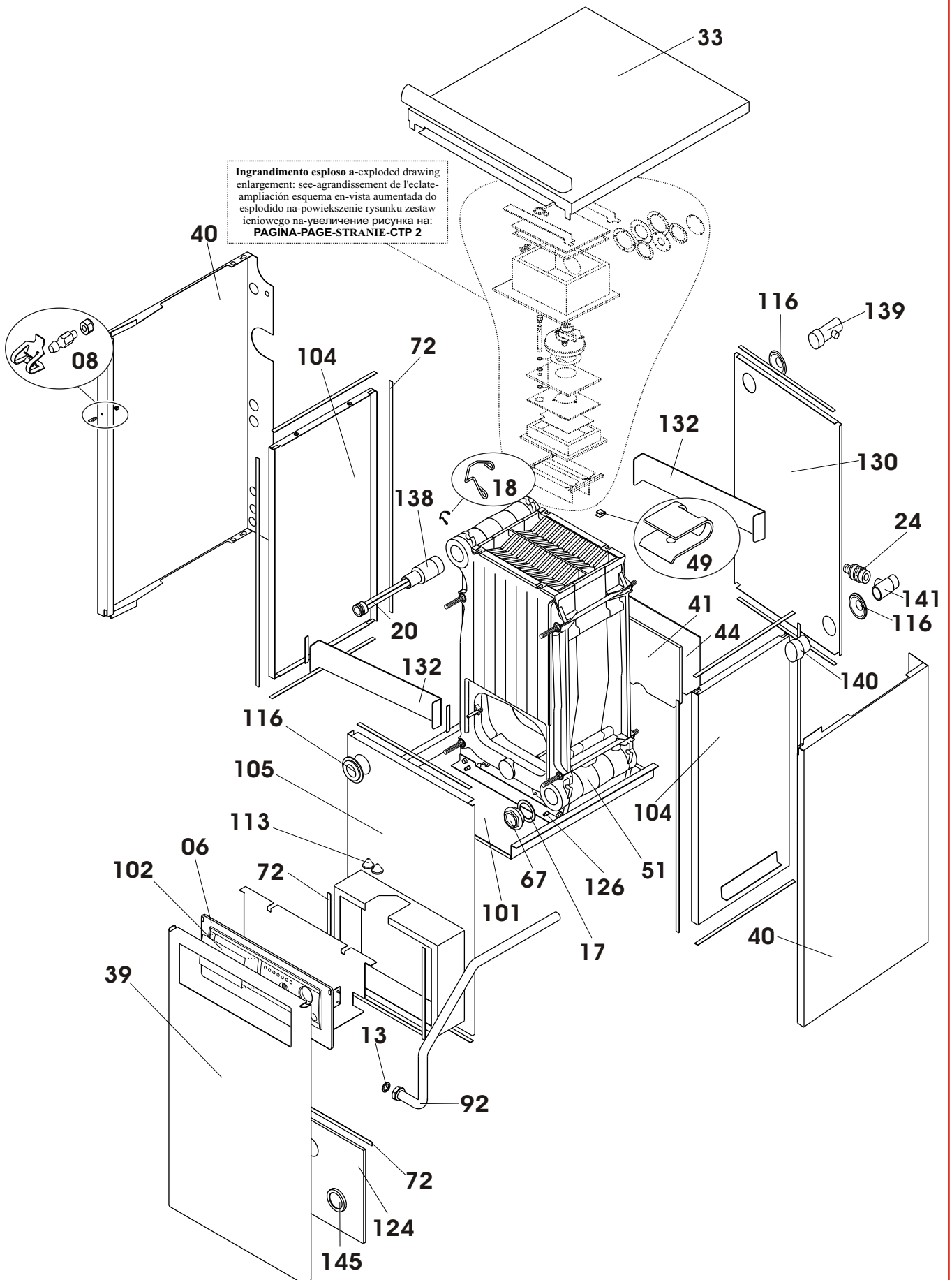


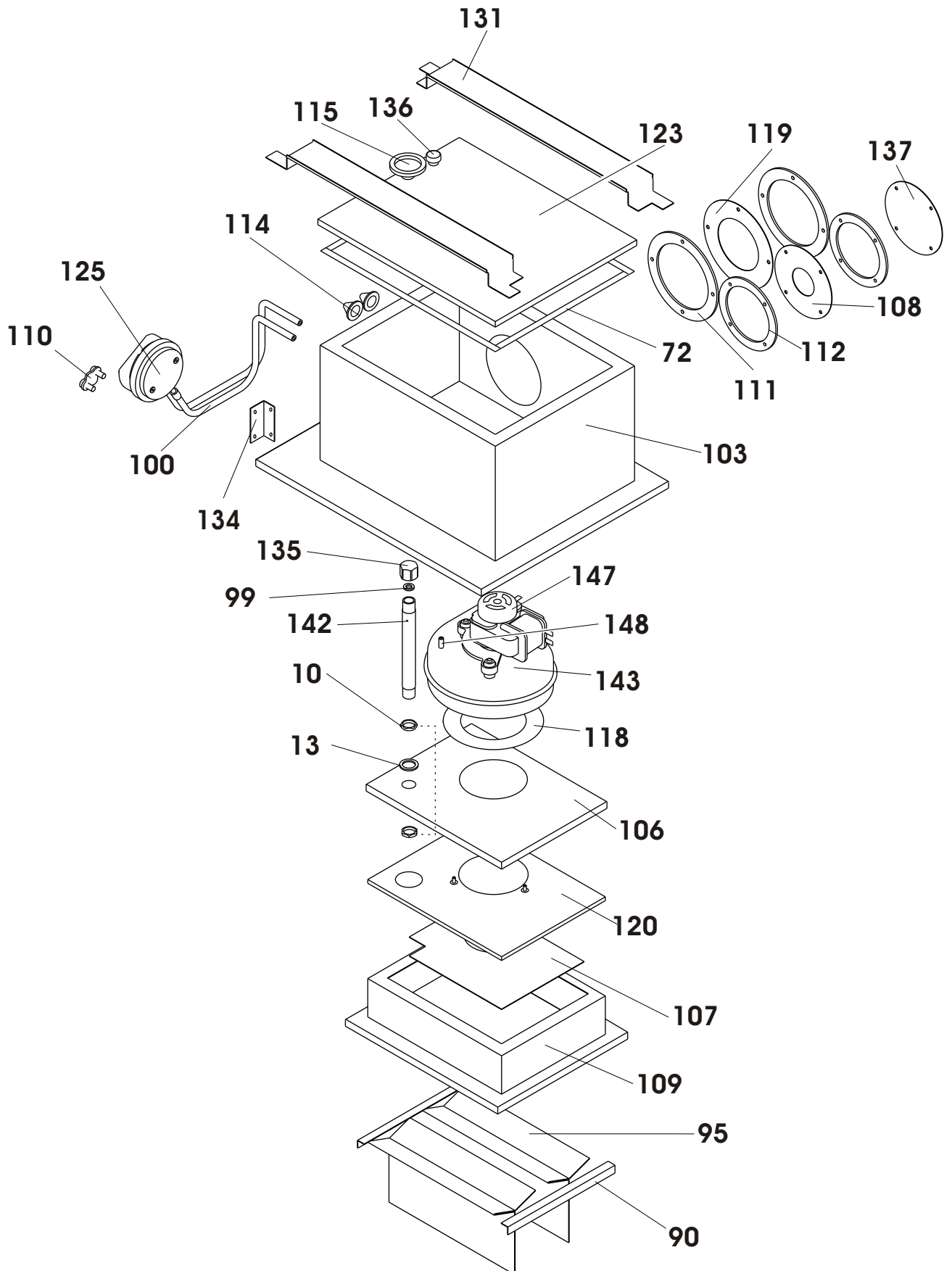
ESPLOSO E LISTA RICAMBI

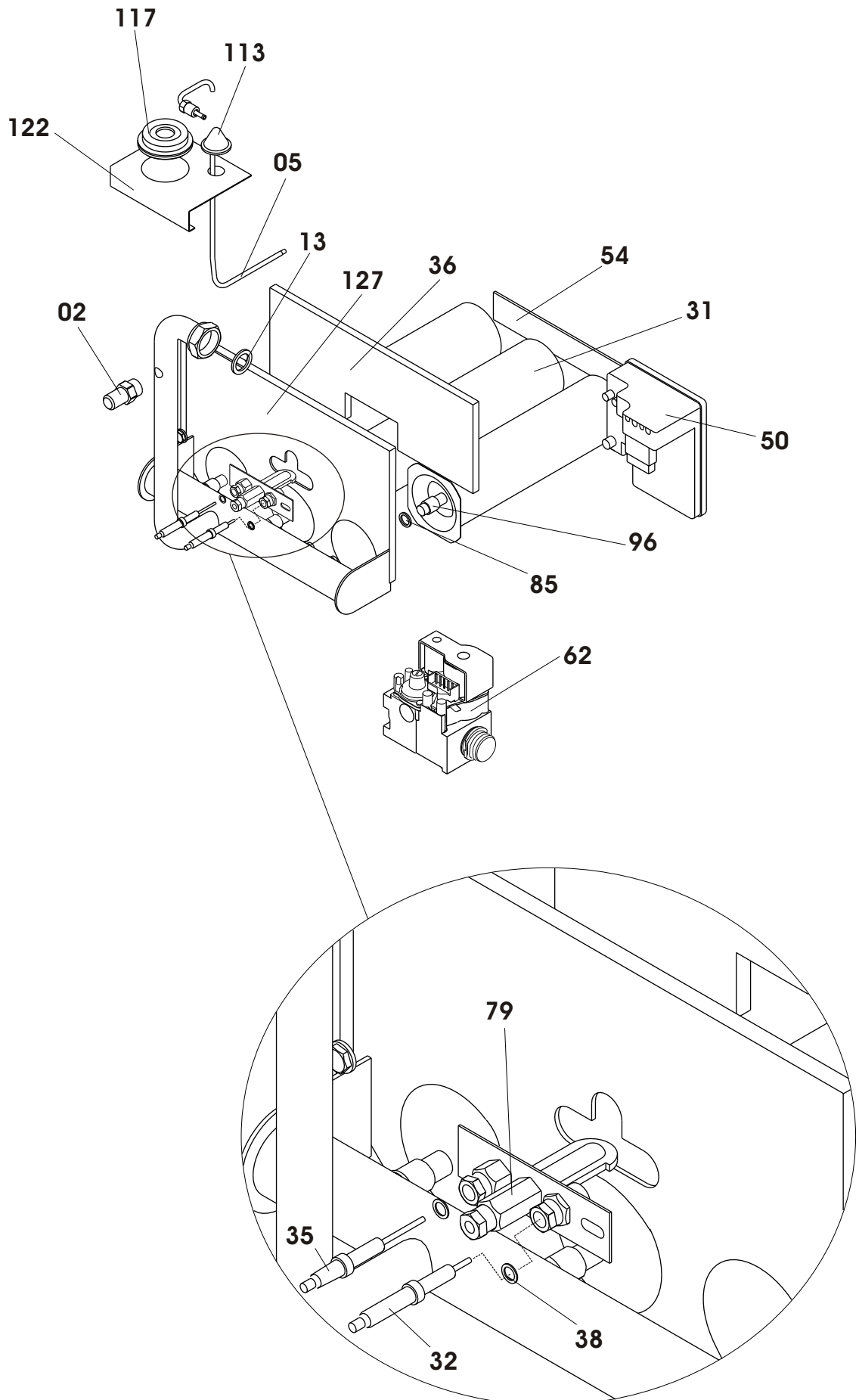
fondital

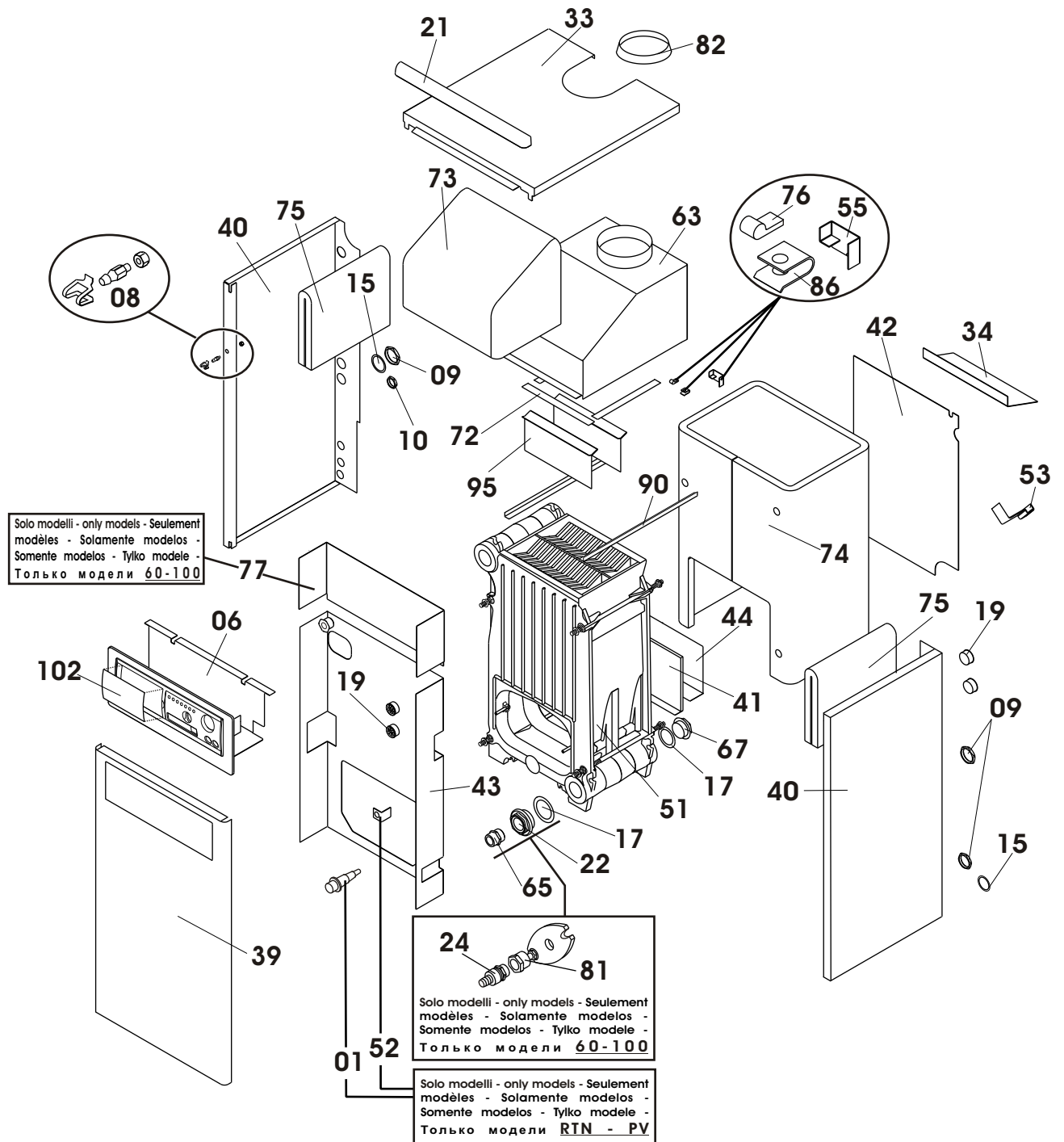
Bali RTN
Bali RTFS

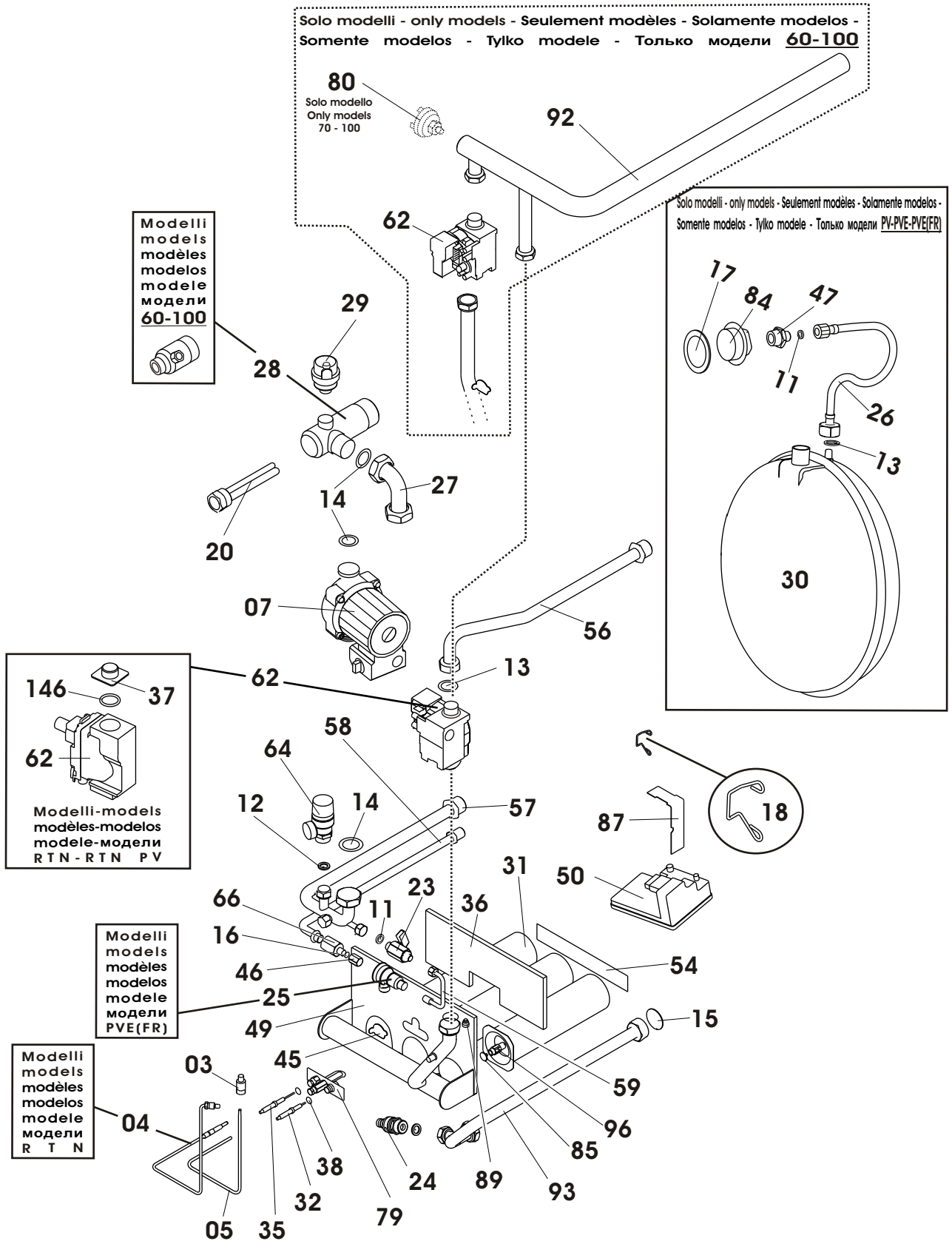


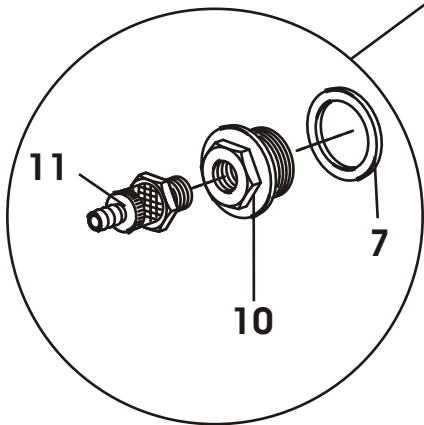
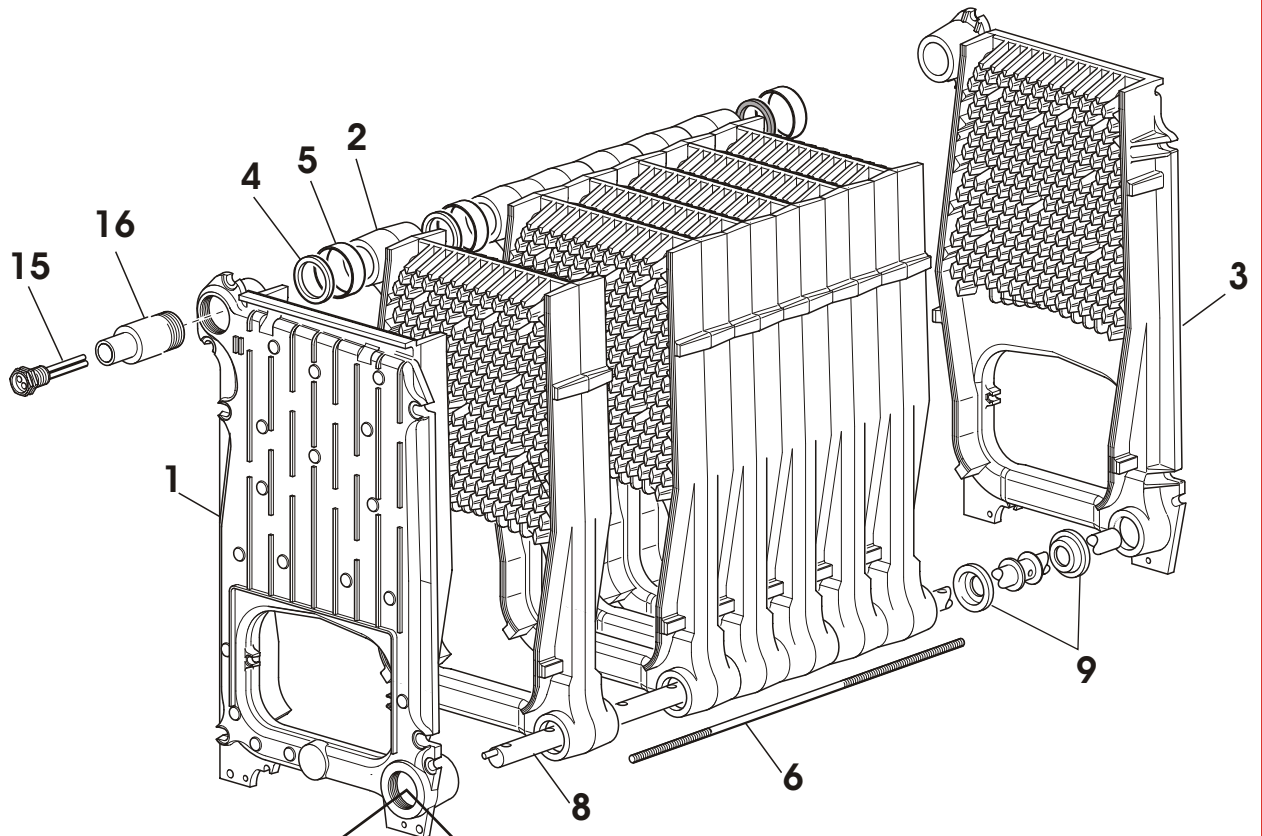




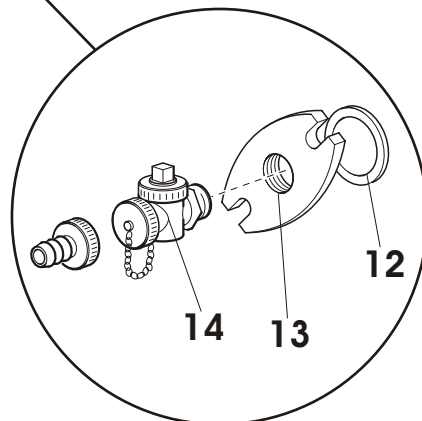




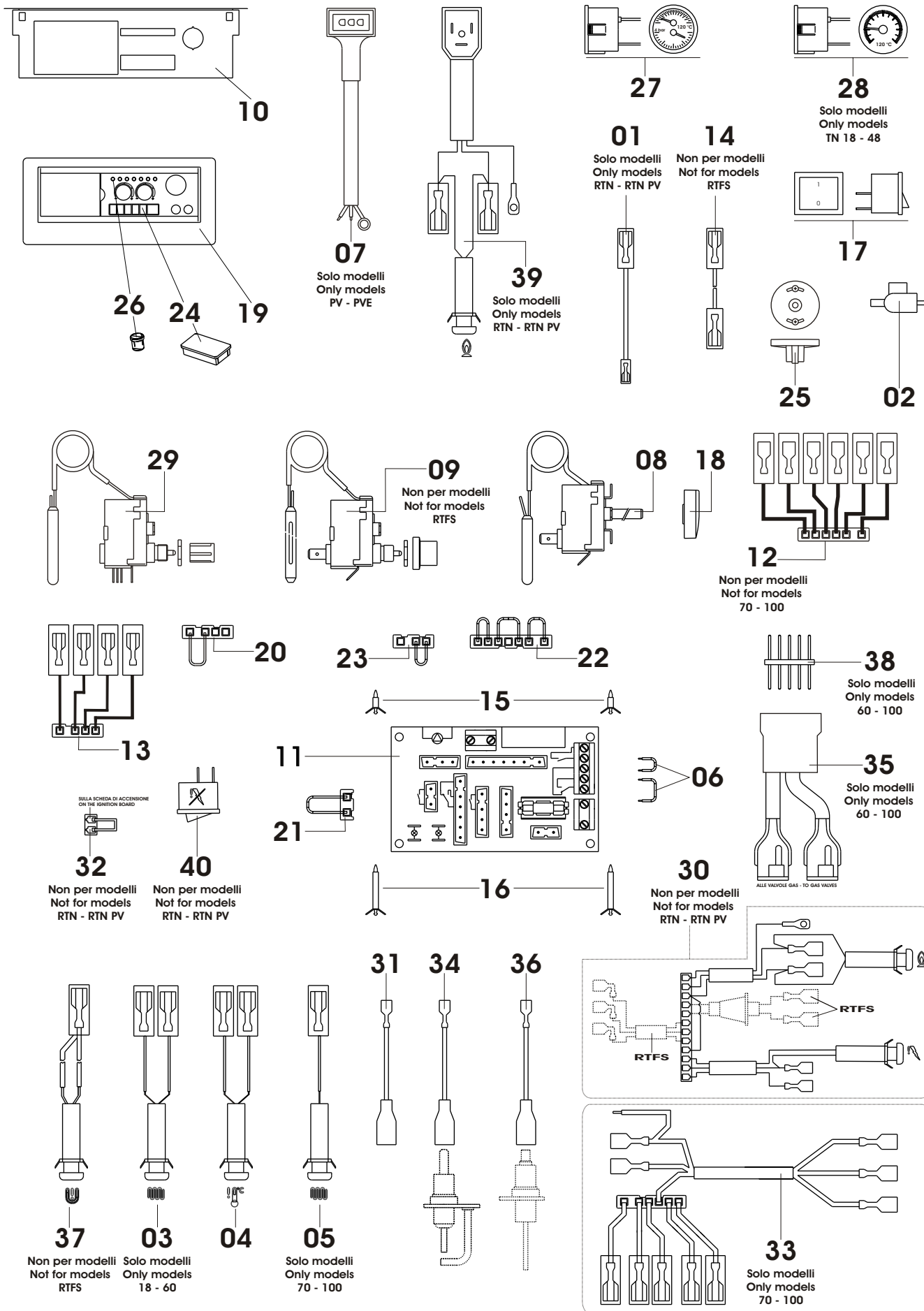




**Modelli
18-48**



**Modelli
60-100**



Riferimenti esploso Bali R

Esp	Codice	Pezzi	Descrizione	Description
1	6Y41276000	1	PIEZO	PIEZO
2	6Y41279600	3	PRESA DI PRESSIONE GAS	GAS PRESSURE TUBE
3	6Y41305000	1	RACCORDO E BICONO	FITTING AND BICONE
4	6Y41383000	1	TERMOCOPPIA MM 600	THERMOCOUPLE MM 600
5	6WTUPILO00	1	TUBO ALLUMINIO	PILOT ALUMINIUM PIPE
6	6QUABAAS00	1	QUADRO ELETTRICO BALI 18-48 RTN	ELECTRIC BOX FOR BALI 18-48 RTN
	6QUABAAS01	1	QUADRO ELETTRICO BALI 18-48 RTN E	ELECTRIC BOX FOR BALI 18-48 RTN E
	6QUABAAS02	1	QUADRO ELETTRICO BALI 60 RTN E	ELECTRIC BOX FOR BALI 60 RTN E
	6QUABAAS03	1	QUADRO ELETTRICO BALI 70-100 RTN E	ELECTRIC BOX FOR BALI 70-100 RTN E
	6QUABAAS04	1	QUADRO ELETTRICO BALI 18-36 RTN PV	ELECTRIC BOX FOR BALI 18-36 RTN PV
	6QUABAAS05	1	QUADRO ELETTRICO BALI 18-36 RTN PVE	ELECTRIC BOX FOR BALI 18-36 RTN PVE
	6QUABAAS06	1	QUADRO ELETTRICO BALI 18-36 RTFS E	ELECTRIC BOX FOR BALI 18-36 RTFS E
	6QUABAAS07	1	QUADRO ELETTRICO BALI 60 RTN E K	ELECTRIC BOX FOR BALI 60 RTN E K
7	6CIRCOLA03	1	CIRCOLATORE SENZA DEGASATORE	CIRCULATING PUMP WITHOUT DEGASSER
8	6KRICAPB00	10	KIT RICAMBIO AGGANCIO PANNELLATURA	SPARES KIT FOR BASE PANEL HOOKING
9	6GHIEROT01	3	GHIERA 3/4"	RING NUT G3/4"
10	6GHIEROT03	3	GHIERA 3/8"	3-8" RING NUT
11	6GUARNIZ02	10	GUARNIZIONE 11X5	GASKET 11X5
12	6GUARNIZ04	10	GUARNIZIONE 18X12	GASKET 18X12
13	6GUARNIZ05	10	GUARNIZIONE 24X17	GASKET 24X17
14	6GUARNIZ07	10	GUARNIZIONE 30X21	GASKET 30X21
15	6GUARNIZ08	10	GUARNIZIONE 34X27X1	GASKET 34X27X1
16	6GUARNIZ09	10	GUARNIZIONE 8 X 4 X1/5	GASKET 8 X 4 X1/5
17	6GUARNIZ10	5	GUARNIZIONE 56X41X2	GASKET 56X41X2
18	6MOLBLCA00	5	MOLLA BLOCCA CAPILLARE	CAPILLARY LOCK SPRING
19	6PASSACA01	5	PASSACAVO IN PLASTICA	PLASTIC CABLE GUIDE
20	6PORTBUT00	1	PORTA BULBI 3/4" MASCHIO	BULB HOLDER 3/4" MALE
	6PORTBUT01	1	PORTA BULBI 3/4" MASCHIO	BULB HOLDER 3/4" X 220M
21	6PROFIPL00	1	PROFILATO IN PLASTICA DA 450MM	PLASTIC SECTION, SIZE 450MM
22	6RIDUZIO00	1	RIDUZIONE 1-1/4" M X 3/4" F	ADAPTER 1-1/4" M X 3/4" F
23	6RUBICAR02	1	RUBINETTO DI CARICO 1/4" M X M10X1 M	FILLING TAP 1/4" M X M10X1 M
24	6RUBISCA04	1	RUBINETTO DI SCARICO 1/2"	DRAIN COCK 1/2"
25	6SCONNET00	1	DISCONNETTORE (FRANCIA)	DISCONNECTOR (FOR FRANCE ONLY)
26	6TUBFLEX00	1	TUBO FLESSIBILE 3/4" F X 1/4" F	HOSE PIPE 3/4" F X 1/4" F
27	6TUMOORB14	1	CURVA	ELBOW
28	6TUMOORB15	1	RACCORDO DI MANDATA SUPERIORE	UPPER DELIVERY FITTING
	6WTRONCG00	1	TRONCHETTO 1-1/4"M X 3/4" F - ATTACCO MANOMETRO	STUB PIPE 1-1/4"M X 3/4" F - PRESSURE GAUGE PORT
29	6VALSFAU01	1	VALVOLA SFIATO AUTOMATICA	AUTOMATIC RELIEF VALVE
30	6VASOESP05	1	VASO D'ESPANSIONE 8 LITRI BASAMENTO	8 LITRE EXPANSION TANK FLOOR-STANDING BOILER
	6VASOESP06	1	VASO D'ESPANSIONE 12 LITRI BASAMENTO	12 LITRE EXPANSION TANK FLOOR-STANDING BOILER
	6WVASESP00	1	VASO D'ESPANSIONE 10L	EXPANSION VESSEL 10L
31	6WBRUCIA00	1	RAMPA BRUCIATORE BALI-ALTAIR 18-24	BURNER RAMP FOR BALI-ALTAIR 18-24
	6WBRUCIA01	1	RAMPA BRUCIATORE BALI-ALTAIR 32-36	BURNER RAMP FOR BALI-ALTAIR 32-36
	6WBRUCIA02	1	RAMPA BRUCIATORE BALI-ALTAIR 48	BURNER RAMP FOR BALI-ALTAIR 48
	6WBRUCIA03	1	RAMPA BRUCIATORE BALI-ALTAIR 60	BURNER RAMP FOR BALI-ALTAIR 60
	6WBRUCIA04	1	RAMPA BRUCIATORE BALI-ALTAIR 70	BURNER RAMP FOR BALI-ALTAIR 70
	6WBRUCIA05	1	RAMPA BRUCIATORE BALI-ALTAIR 80	BURNER RAMP FOR BALI-ALTAIR 80

31	6WBRUCIA06	1	RAMPA BRUCIATORE BALI-ALTAIR 90	BURNER RAMP FOR BALI-ALTAIR 90
	6WBRUCIA07	1	RAMPA BRUCIATORE BALI-ALTAIR 100	BURNER RAMP FOR BALI-ALTAIR 100
32	6WCANACC00	3	CANDELA DI ACCENSIONE	IGNITER PLUG
	6COPCALE27	1	COPERCHIO BALI-ALTAIR RTN 18-24	COVER FOR BALI-ALTAIR RTN 18-24
	6COPCALE28	1	COPERCHIO BALI-ALTAIR RTN 32-36	COVER FOR BALI-ALTAIR RTN 32-36
	6COPCALE29	1	COPERCHIO BALI-ALTAIR RTN 48	COVER FOR BALI-ALTAIR RTN 48
	6COPCALE30	1	COPERCHIO BALI-ALTAIR RTFS 18-24	COVER FOR BALI-ALTAIR RTFS 18-24
33	6COPCALE31	1	COPERCHIO BALI-ALTAIR RTFS 32-36	COVER FOR BALI-ALTAIR RTFS 32-36
	6COPCALE22	1	COPERCHIO BALI-ALTAIR RTN 60	COVER FOR BALI-ALTAIR RTN 60
	6COPCALE23	1	COPERCHIO BALI-ALTAIR RTN 70	COVER FOR BALI-ALTAIR RTN 70
	6COPCALE24	1	COPERCHIO BALI-ALTAIR RTN 80	COVER FOR BALI-ALTAIR RTN 80
	6COPCALE25	1	COPERCHIO BALI-ALTAIR RTN 90	COVER FOR BALI-ALTAIR RTN 90
	6COPCALE26	1	COPERCHIO BALI-ALTAIR RTN 100	COVER FOR BALI-ALTAIR RTN 100
	6WDEFFUM00	1	DEFLETTORE FUMI RTN	FLUE GAS DEFLECTOR FOR RTN
34	6WDEFFUM01	1	DEFLETTORE FUMI RTN E 90	FLUE GAS DEFLECTOR FOR RTN E 90
	6WDEFFUM02	1	DEFLETTORE FUMI RTN E 100	FLUE GAS DEFLECTOR FOR RTN E 100
	6WDEFFUM03	1	DEFLETTORE FUMI RTN E 60-70-80	FLUE GAS DEFLECTOR FOR RTN E 60-70-80
35	6WELRILE00	3	ELETTRODO DI RILEVAZIONE FIAMMA (SOLO MOD. ELETTRONICI)	FLAME DETECTION ELECTRODE (ELECTRONIC MODELS ONLY)
36	6WGUARIS00	1	GUARNIZIONE ISOLANTE RAMPA GAS	GAS RAMP INSULATION GASKET
37	6WRACFLA00	3	RACCORDO 3/4" M FLANGIATO	FLANGED FITTING 3/4" M
38	6WGUARPR00	5	GUARNIZIONE DI PROTEZIONE DELLA CANDELA	SPARK PLUG PROTECTION GASKET
39	6PANNELL62	1	PANNELLO FRONTALE 18-48	FRONT PANEL FOR 18-48
	6PANNELL53	1	PANNELLO FRONTALE 60-100	FRONT PANEL FOR 60-100
	6PANNELL59	1	PANNELLO LATERALE 18-24	SIDE PANEL FOR 18-24
	6PANNELL60	1	PANNELLO LATERALE 32-36	SIDE PANEL FOR 32-36
	6PANNELL61	1	PANNELLO LATERALE 48	SIDE PANEL FOR 48
40	6PANNELL54	1	PANNELLO LATERALE 60	SIDE PANEL FOR 60
	6PANNELL55	1	PANNELLO LATERALE 70	SIDE PANEL FOR 70
	6PANNELL56	1	PANNELLO LATERALE 80	SIDE PANEL FOR 80
	6PANNELL57	1	PANNELLO LATERALE 90	SIDE PANEL FOR 90
	6PANNELL58	1	PANNELLO LATERALE 100	SIDE PANEL FOR 100
41	6WPANNIS00	1	PANNELLO ISOLANTE CHIUSURA POSTERIORE	REAR CLOSING INSULATION PANEL
42	6SCHPOST04	1	PANNELLO POSTERIORE PER CALDAIA A GAS	REAR PANEL FOR GAS BOILERS
43	6PANPROT01	1	PANNELLO DI PROTEZIONE PER CALDAIA A GAS	PROTECTION PANEL FOR GAS BOILERS
44	6WPIASTC00	1	PIASTRA CHIUSURA POSTERIORE PER CALDAIA A GAS	REAR CLOSING PLATE FOR GAS BOILERS
45	6WPORTIN00	1	PORTINA RAMPA BRUCIATORE RTFS	BURNER RAMP DOOR FOR RTFS
46	6WRACCOR00	3	RACCORDO M10X1F - M10X1F	FITTING M10X1F - M10X1F
47	6WRACCOR01	3	RACCORDO 1/2" M X 1/4" M	FITTING 1/2" M X 1/4" M
	6WRAMGAS00	1	RAMPA GAS	GAS RAMP FOR
49	6WRAMGAS01	1	PORTA BRUCIATORI 60-100	BURNER SUPPORT FOR 60-100
	6WSCEACC00	1	SCHEDA DI ACCENSIONE RTN	IGNITION BOARD FOR RTN
50	6WSCEACC01	1	SCHEDA DI ACCENSIONE RTFS	IGNITION BOARD FOR RTFS
	6WSCGHIS00	1	CORPO IN GHISA PER 18-24	CAST IRON BODY FOR 18-24
	6WSCGHIS01	1	CORPO IN GHISA PER 32-36	CAST IRON BODY FOR 32-36
	6WSCGHIS02	1	CORPO IN GHISA PER 48	CAST IRON BODY FOR 48
51	6WSCGHIS03	1	CORPO IN GHISA PER 60	CAST IRON BODY FOR 60
	6WSCGHIS04	1	CORPO IN GHISA PER 70	CAST IRON BODY FOR 70
	6WSCGHIS05	1	CORPO IN GHISA PER 80	CAST IRON BODY FOR 80
	6WSCGHIS06	1	CORPO IN GHISA PER 90	CAST IRON BODY FOR 90
	6WSCGHIS07	1	CORPO IN GHISA PER 100	CAST IRON BODY FOR 100

52	6WSTAFIS00	3	STAFFA FISSAGGIO PIEZOELETTRICO	PIEZOELECTRIC CLAMP FOR
53	6WSTAFIS01	1	STAFFA VASO ESPANSIONE	EXPANSION VESSEL CLAMP FOR
54	6WSTAFIS02	1	STAFFA BLOCCAGGIO BRUCIATORE	BURNER LOCKING CLAMP FOR
55	6WSTATER00	1	STAFFA FISSAGGIO TERMOSTATO FUMI	FLUE GAS THERMOSTAT CLAMP FOR
56	6WTUBGAS00	1	TUBO DI ALIMENTAZIONE 18-24	FEED PIPE FOR 18-24
	6WTUBGAS01	1	TUBO DI ALIMENTAZIONE 32-36	FEED PIPE FOR 32-36
	6WTUBGAS02	1	TUBO DI ALIMENTAZIONE 48	FEED PIPE FOR 48
57	6WTUBOID00	1	TUBO DI MANDATA POMPA 18-24	PUMP DELIVERY PIPE FOR 18-24
	6WTUBOID01	1	TUBO DI MANDATA POMPA 32-36	PUMP DELIVERY PIPE FOR 32-36
	6WTUBOID02	1	TUBO DI MANDATA POMPA 48	PUMP DELIVERY PIPE FOR 48
58	6WTUBOID03	1	TUBO ACQUA FREDDA 18-24	COLD WATER PIPE FOR 18-24
	6WTUBOID04	1	TUBO ACQUA FREDDA 32-36	COLD WATER PIPE FOR 32-36
	6WTUBOID05	1	TUBO ACQUA FREDDA 48	COLD WATER PIPE FOR 48
59	6WTUBOID06	1	TUBO DI RIEMPIMENTO (SOLO PER FRANCIA)	FILLING PIPE FOR (FRANCE ONLY)
	6WTUBOID07	1	TUBO DI RIEMPIMENTO	FILLING PIPE FOR
62	6WVALE00	1	VALVOLA GAS RTFS - RTN E - RTN PVE	GAS VALVE FOR RTFS - RTN E - RTN PVE
	6WVALTER00	1	VALVOLA GAS RTN - RTN PV	GAS VALVE FOR RTN - RTN PV
63	6WCAPFUM00	1	CAPPA FUMI BALI-ALTAIR 18-24	FLUE GAS HOOD FOR BALI-ALTAIR 18-24
	6WCAPFUM01	1	CAPPA FUMI BALI-ALTAIR 32-36	FLUE GAS HOOD FOR BALI-ALTAIR 32-36
	6WCAPFUM02	1	CAPPA FUMI BALI-ALTAIR 48	FLUE GAS HOOD FOR BALI-ALTAIR 48
	6WCAPFUM03	1	CAPPA FUMI BALI-ALTAIR 60	FLUE GAS HOOD FOR BALI-ALTAIR 60
	6WCAPFUM04	1	CAPPA FUMI BALI-ALTAIR 70	FLUE GAS HOOD FOR BALI-ALTAIR 70
	6WCAPFUM05	1	CAPPA FUMI BALI-ALTAIR 80	FLUE GAS HOOD FOR BALI-ALTAIR 80
	6WCAPFUM06	1	CAPPA FUMI BALI-ALTAIR 90	FLUE GAS HOOD FOR BALI-ALTAIR 90
	6WCAPFUM07	1	CAPPA FUMI BALI-ALTAIR 100	FLUE GAS HOOD FOR BALI-ALTAIR 100
	6WCAPFUM08	1	CAPPA FUMI BALI-ALTAIR RTN 18 RIDOTTA	FLUE GAS HOOD FOR BALI-ALTAIR RTN 18 REDUCED
64	6VALSIBA03	1	VALVOLA DI SICUREZZA 1/2" 3 BAR	SAFETY VALVE, 1/2" 3 BAR
65	6RACCORD04	1	RACCORDO G3-4 X G3-4 MM	FITTING 3/4" X 3/4" M-M
66	6RUBICAR03	1	RUBINETTO DI CARICO (SOLO PER FRANCIA)	FILLING TAP (FOR FRANCE ONLY)
67	6TAPCECO00	3	TAPPO 1-1/4" M	PLUG 1-1/4" M
72	6WGOMADE00	1	GOMMA ADESIVA DI NEOPRENE	ADHESIVE NEOPRENE RUBBER
73	6WISKFUM00	1	ISOLAMENTO CAPP A 18-24	HOOD INSULATION FOR 18-24
	6WISKFUM01	1	ISOLAMENTO CAPP A 32-36	HOOD INSULATION FOR 32-36
	6WISKFUM02	1	ISOLAMENTO CAPP A 48	HOOD INSULATION FOR 48
	6WISKFUM03	1	ISOLAMENTO CAPP A 60	HOOD INSULATION FOR 60
	6WISKFUM04	1	ISOLAMENTO CAPP A 70	HOOD INSULATION FOR 70
	6WISKFUM05	1	ISOLAMENTO CAPP A 80	HOOD INSULATION FOR 80
	6WISKFUM06	1	ISOLAMENTO CAPP A 90	HOOD INSULATION FOR 90
74	6WISKFUM07	1	ISOLAMENTO CAPP A 100	HOOD INSULATION FOR 100
	6WISOAVO00	1	ISOLAMENTO AVVOLGENTE 18-24	ALL-ROUND INSULATION FOR 18-24
	6WISOAVO01	1	ISOLAMENTO AVVOLGENTE 32-36	ALL-ROUND INSULATION FOR 32-36
	6WISOAVO02	1	ISOLAMENTO AVVOLGENTE 48	ALL-ROUND INSULATION FOR 48
	6WISOAVO03	1	ISOLAMENTO AVVOLGENTE 60	ALL-ROUND INSULATION FOR 60
	6WISOAVO04	1	ISOLAMENTO AVVOLGENTE 70	ALL-ROUND INSULATION FOR 70
	6WISOAVO05	1	ISOLAMENTO AVVOLGENTE 80	ALL-ROUND INSULATION FOR 80
75	6WISOAVO06	1	ISOLAMENTO AVVOLGENTE 90	ALL-ROUND INSULATION FOR 90
	6WISOAVO07	1	ISOLAMENTO AVVOLGENTE 100	ALL-ROUND INSULATION FOR 100
	6WISOCOM00	1	ISOLAMENTO COMPENSAZIONE 18-24	COMPENSATION INSULATION FOR 18-24
75	6WISOCOM01	1	ISOLAMENTO COMPENSAZIONE 32-36	COMPENSATION INSULATION FOR 32-36
	6WISOCOM02	1	ISOLAMENTO COMPENSAZIONE 48	COMPENSATION INSULATION FOR 48

75	6WISOCOM03	1	ISOLAMENTO COMPENSAZIONE 60	COMPENSATION INSULATION FOR 60
	6WISOCOM04	1	ISOLAMENTO COMPENSAZIONE 70	COMPENSATION INSULATION FOR 70
	6WISOCOM05	1	ISOLAMENTO COMPENSAZIONE 80	COMPENSATION INSULATION FOR 80
	6WISOCOM06	1	ISOLAMENTO COMPENSAZIONE 90	COMPENSATION INSULATION FOR 90
	6WISOCOM07	1	ISOLAMENTO COMPENSAZIONE 100	COMPENSATION INSULATION FOR 100
76	6WMOLTFU00	3	MOLLETTA FISSAGGIO TERMOSTATO FUMI	FLUE GAS THERMOSTAT CLIP
77	6PANPROT00	1	PANNELLO PROTEZIONE SUP. 60-100	UPPER PROTECTION PANEL FOR 60-100
79	6WPILOTA00	3	PILOTA ACCENSIONE ELETTRONICA METANO	ELECTRONIC METHANE IGNITION PILOT
	6WPILOTA01	3	PILOTA ACCENSIONE PIEZOELETTRICA METANO	PIEZO-ELECTRONICMETHANE IGNITION PILOT
79/A	6WUGPMET00	5	UGELLO PILOTA METANO BALI-ALTAIR	PILOT NOZZLE METHANE BALI-ALTAIR
	6WUGPGPL00	5	UGELLO PILOTA GPL BALI-ALTAIR	PILOT NOZZLE G30 BALI-ALTAIR
80	6WPRESSG00	1	PRESSOSTATO GAS 70-100	GAS PRESSURE SWITCH FOR 70-100
	6WPRESSG01	1	PRESSOSTATO GAS 70-100 SOLO PER RUSSIA	GAS PRESSURE SWITCH FOR 70-100 RUSSIA ONLY
81	6WRACCOR02	3	RACCORDO 3/4" M 1/2" F	FITTING 3/4" M 1/2" F
82	6WRIDCAP00	3	RIDUZIONE CAPP A FUMI 24-36	FLUE GAS HOOD REDUCER FOR 24-36
84	6WRIDGHI00	1	RIDUZIONE 1-1/4" M X 1/2" F	REDUCER 1-1/4" M X 1/2" F
85	6WRONDAL00	10	RONDELLA IN ALLUMINIO PER UGELLO	ALUMINIUM WASHER FOR NOZZLE
86	6WINSERK00	5	INSERTO PER VITE	SCREW INSERT
87	6WSTAFSC00	1	STAFFA PORTA SCHEDA D'ACCENSIONE	IGNITION BOARD HOLDER
89	6WTAPVAL00	3	TAPPO PER PILOTA	PILOT PLUG
90	6WTELPRS00	1	TELAIO PORTA STUCCO 48	FILLER FRAME FOR 48
	6WTELPRS01	1	TELAIO PORTA STUCCO 60	FILLER FRAME FOR 60
	6WTELPRS02	1	TELAIO PORTA STUCCO 70	FILLER FRAME FOR 70
	6WTELPRS03	1	TELAIO PORTA STUCCO 80	FILLER FRAME FOR 80
	6WTELPRS04	1	TELAIO PORTA STUCCO 90	FILLER FRAME FOR 90
	6WTELPRS05	1	TELAIO PORTA STUCCO 100	FILLER FRAME FOR 100
	6WTELPRS06	1	TELAIO PORTA STUCCO RTFS 18-24	FILLER FRAME FOR RTFS 18-24
92	6WTELPRS07	1	TELAIO PORTA STUCCO RTFS 32-36	FILLER FRAME FOR RTFS 32-36
	6WTUBGAS03	1	TUBO DI ALIMENTAZIONE GAS 60	GAS FEED PIPE FOR 60
	6WTUBGAS04	1	TUBO DI ALIMENTAZIONE GAS 70	GAS FEED PIPE FOR 70
	6WTUBGAS05	1	TUBO DI ALIMENTAZIONE GAS 80	GAS FEED PIPE FOR 80
	6WTUBGAS06	1	TUBO DI ALIMENTAZIONE GAS 90	GAS FEED PIPE FOR 90
	6WTUBGAS07	1	TUBO DI ALIMENTAZIONE GAS 100	GAS FEED PIPE FOR 100
	6WTUBGAS08	1	TUBO DI ALIMENTAZIONE GAS RTFS 18-24	GAS FEED PIPE FOR RTFS 18-24
	6WTUBGAS09	1	TUBO DI ALIMENTAZIONE GAS RTFS 32-36	GAS FEED PIPE FOR RTFS 32-36
	93	6WTUBOID08	1	TUBO DI RITORNO RTN 18-24
6WTUBOID09		1	TUBO DI RITORNO RTN 32-36	RETURN PIPE FOR RTN 32-36
6WTUBOID10		1	TUBO DI RITORNO RTN 48	RETURN PIPE FOR RTN 48
95	6WTURBUL00	1	TURBOLATORE RTN 18-24	TURBOFAN FOR RTN 18-24
	6WTURBUL01	1	TURBOLATORE RTN 32-36	TURBOFAN FOR RTN 32-36
	6WTURBUL02	1	TURBOLATORE 100	TURBOFAN FOR 100
96	6WUGELLO00	3	UGELLO PER BALI-ALTAIR D.2,50	NOZZLE FOR BALI-ALTAIR D.2,50
	6WUGELLO01	3	UGELLO PER BALI-ALTAIR D.2,40	NOZZLE FOR BALI-ALTAIR D.2,40
	6WUGELLO02	3	UGELLO PER BALI-ALTAIR D.3,00 RALL.	NOZZLE FOR BALI-ALTAIR D.3,00 RALL.
	6WUGELLO03	3	UGELLO PER BALI-ALTAIR D.2,90	NOZZLE FOR BALI-ALTAIR D.2,90
	6WUGELLO04	3	UGELLO PER BALI-ALTAIR D.3,00	NOZZLE FOR BALI-ALTAIR D.3,00
	6WUGELLO05	3	UGELLO PER BALI-ALTAIR D.3,10	NOZZLE FOR BALI-ALTAIR D.3,10
	6WUGELLO06	3	UGELLO PER BALI-ALTAIR D.3,90	NOZZLE FOR BALI-ALTAIR D.3,90
	6WUGELLO07	3	UGELLO PER BALI-ALTAIR D.4,10	NOZZLE FOR BALI-ALTAIR D.4,10
	6WUGELLO08	3	UGELLO PER BALI-ALTAIR D.4,50	NOZZLE FOR BALI-ALTAIR D.4,50

	6WUGELLO09	3	UGELLO PER BALI-ALTAIR D.4,90	NOZZLE FOR BALI-ALTAIR D.4,90
	6WUGELLO10	3	UGELLO PER BALI-ALTAIR D.5,20	NOZZLE FOR BALI-ALTAIR D.5,20
	6WUGELLO11	3	UGELLO PER BALI-ALTAIR D.1,50	NOZZLE FOR BALI-ALTAIR D.1,50
	6WUGELLO12	3	UGELLO PER BALI-ALTAIR D.1,70	NOZZLE FOR BALI-ALTAIR D.1,70
	6WUGELLO13	3	UGELLO PER BALI-ALTAIR D.1,80	NOZZLE FOR BALI-ALTAIR D.1,80
	6WUGELLO14	3	UGELLO PER BALI-ALTAIR D.2,05	NOZZLE FOR BALI-ALTAIR D.2,05
	6WUGELLO15	3	UGELLO PER BALI-ALTAIR D.2,20	NOZZLE FOR BALI-ALTAIR D.2,20
	6WUGELLO16	3	UGELLO PER BALI-ALTAIR D.1,25	NOZZLE FOR BALI-ALTAIR D.1,25
96	6WUGELLO17	3	UGELLO PER BALI-ALTAIR D.2,60	NOZZLE FOR BALI-ALTAIR D.2,60
	6WUGELLO18	3	UGELLO PER BALI-ALTAIR D.2,75	NOZZLE FOR BALI-ALTAIR D.2,75
	6WUGELLO19	3	UGELLO PER BALI-ALTAIR D.3,05	NOZZLE FOR BALI-ALTAIR D.3,05
	6WUGELLO20	3	UGELLO PER BALI-ALTAIR D.2,10	NOZZLE FOR BALI-ALTAIR D.2,10
	6WUGELLO21	3	UGELLO PER BALI-ALTAIR D.3,30	NOZZLE FOR BALI-ALTAIR D.3,30
	6WUGELLO22	3	UGELLO PER BALI-ALTAIR D.3,50	NOZZLE FOR BALI-ALTAIR D.3,50
	6WUGELLO23	3	UGELLO PER BALI-ALTAIR D.5,80	NOZZLE FOR BALI-ALTAIR D.5,80
	6WUGELLO24	3	UGELLO PER BALI-ALTAIR D.6,20	NOZZLE FOR BALI-ALTAIR D.6,20
	6WUGELLO25	3	UGELLO PER BALI-ALTAIR D.7,00	NOZZLE FOR BALI-ALTAIR D.7,00
99	6GUARNIZ03	10	GUARNIZIONE 14X8	GASKET 14X8
100	6YTUBCON02	3m	TUBO IN SILICONE DIAMETRO INT. 4, ESTERNO 8	SILICONE PIPE: INSIDE Ø 4 MM, OUTSIDE Ø 8 MM
101	6WBASGAS00	1	BASAMENTO PER BALI-ALTAIR RTFS 18-24	BASEMENT FOR BALI-ALTAIR RTFS 18-24
	6WBASGAS01	1	BASAMENTO PER BALI-ALTAIR RTFS 32-36	BASEMENT FOR BALI-ALTAIR RTFS 32-36
102	6SPORPAN01	1	SPORTELLINO FONDITAL	FONDITAL PANEL GUARD
	6SPORPAN02	1	SPORTELLINO NOVA FLORIDA	NOVA FLORIDA PANEL GUARD
103	6WCAPCAS01	1	CAPPELLO CASSONE BALI-ALTAIR RTFS 32-36	BOX COVER FOR BALI-ALTAIR RTFS 32-36
	6WCAPCAS02	1	CAPPELLO CASSONE BALI-ALTAIR RTFS 18-24	BOX COVER FOR BALI-ALTAIR RTFS 18-24
104	6WCASLAT00	1	LATERALE CASSONE BALI-ALTAIR RTFS 18-24	SIDE BOX PANEL FOR BALI-ALTAIR RTFS 18-24
	6WCASLAT01	1	LATERALE CASSONE BALI-ALTAIR RTFS 32-36	SIDE BOX PANEL FOR BALI-ALTAIR RTFS 32-36
105	6WCASSFR00	1	FRONTALE CASSONE BALI-ALTAIR RTFS 18-36	FRONT BOX PANEL FOR BALI-ALTAIR RTFS 18-36
106	6WCHIESF00	1	CHIUSURA ESTRATTORE FUMI RTFS 18-24	FLUE GAS EXTRACTOR CLOSING FOR RTFS 18-24
	6WCHIESF01	1	CHIUSURA ESTRATTORE FUMI RTFS 32-36	FLUE GAS EXTRACTOR CLOSING FOR RTFS 32-36
107	6WCONFUM00	1	CONVOGLIATORE FUMI RTFS 18-24	FLUE GAS DUCT FOR RTFS 18-24
	6WCONFUM01	1	CONVOGLIATORE FUMI RTFS 32-36	FLUE GAS DUCT FOR RTFS 32-36
108	6WDIAFRG00	3	DIAFRAMMA D40MM RTFS 18-24	DIAPHRAGM D40MM FOR RTFS 18-24
	6WDIAFRG01	3	DIAFRAMMA D42MM RTFS 32-36	DIAPHRAGM D42MM FOR RTFS 32-36
109	6WESTRFU00	1	ESTRATTORE FUMI RTFS 18-24	FLUE GAS DUCT FOR RTFS 18-24
	6WESTRFU01	1	ESTRATTORE FUMI RTFS 32-36	FLUE GAS DUCT FOR RTFS 32-36
110	6WFASCET00	3	FASCETTA FISSAGGIO CAVO PRESS.	PRESSURE CABLE CLIP
111	6WGRINAR00	3	GUARNIZIONE INGRESSO ARIA RTFS	AIR INLET PIPE GASKET FOR RTFS
112	6WGRINAR01	3	GUARNIZIONE PER RTFS	GASKET FOR RTFS
113	6WGUASIL00	5	GUARNIZIONE D16 X 2 IN SILICONE	SILICONE GASKET, D16 X 2
114	6WGUASIL01	5	GUARNIZIONE D16 X 4 IN SILICONE	SILICONE GASKET, D16 X 4
115	6WGUASIL02	1	GUARNIZIONE D38 X 14 IN SILICONE	SILICONE GASKET, D38 X 14
116	6WGUASIL03	5	GUARNIZIONE D52 X 24 IN SILICONE	SILICONE GASKET, D52 X 24
117	6WGUASIL04	5	GUARNIZIONE D44 X 15 IN SILICONE	SILICONE GASKET, D44 X 15
118	6WGUAVEN00	1	GUARNIZIONE PER VENTILATORE RTFS 18-24	FAN GASKET FOR RTFS 18-24
	6WGUAVEN01	1	GUARNIZIONE PER VENTILATORE RTFS 32-36	FAN GASKET FOR RTFS 32-36
119	6WDIAFRG02	3	DIAFRAMMA D75MM RTFS 18-24	DIAPHRAGM D75MM FOR RTFS 18-24
	6WDIAFRG03	3	DIAFRAMMA D78MM RTFS 32-36	DIAPHRAGM D78MM FOR RTFS 32-36
120	6WISOCOF00	1	ISOLANTE CONVOGLIATORE FUMI RTFS 18-24	FLUE GAS DUCT INSULATION FOR RTFS 18-24
	6WISOCOF01	1	ISOLANTE CONVOGLIATORE FUMI RTFS 32-36	FLUE GAS DUCT INSULATION FOR RTFS 32-36

122	6WLTUGAS00	1	LAMIERA PASSAGGIO TUBO GAS RTFS	GAS PIPE CLEARANCE SHEET FOR RTFS
123	6WPORTES00	1	PORTINA ESTRAZIONE VENTILATORE RTFS	FAN EXTRACTION DOOR FOR RTFS
124	6WPORTRA00	1	PORTINA ESTRAZIONE RAMPA GAS RTFS	GAS RAMP EXTRACTION DOOR FOR RTFS
125	6WPREARI00	1	PRESSOSTATO ARIA RTFS 18-24	AIR PRESSURE SWITCH FOR RTFS 18-24
	6WPREARI01	1	PRESSOSTATO ARIA RTFS 32-36	AIR PRESSURE SWITCH FOR RTFS 32-36
126	6YINSFIL00	10	INSERTO FILETTATO	CLAMP FOR BURNER HOLDER AND WORK SCREW
127	6WRAMGAS02	1	PORTA BRUCIATORI RTFS	BURNER HOLDER FOR RTFS
130	6WSCHCAS00	1	SCHIENALE CASSONE RTFS	BOX REAR PANEL FOR RTFS
131	6WSTAPLA00	1	STAFFA FISSAGGIO PANNELLI LATERALI RTFS	SIDE PANEL CLAMP FOR RTFS
132	6WSTBLCR00	1	STAFFA BLOCCAGGIO CORPO RTFS	BODY LOCKING CLAMP FOR RTFS
134	6WSTPRES00	1	STAFFA SUPPORTO PRESSOSTATO RTFS	PRESSURE SWITCH SUPPORT CLAMP FOR RTFS
135	6WTAPFUM00	3	TAPPO 3/8" F	FEMALE PLUG 3/8"
136	6WTAPFUM01	5	TAPPO ILGA RTFS	ILGA PLUG FOR RTFS
137	6WTAPINA00	3	TAPPO INGRESSO ARIA RTFS	AIR INLET PLUG FOR RTFS
138	6WTRGUNA00	1	TRONCHETTO GUAINA RTFS	SHEATH STUB PIPE FOR RTFS
139	6WTROMAN00	1	TRONCHETTO DI MANDATA RTFS (Fino al 15/10/04)	DELIVERY STUB PIPE FOR RTFS (UNTIL 15/10/04)
	6WTROMAN01	1	TRONCHETTO DI MANDATA RTFS (Dal 15/10/04)	DELIVERY STUB PIPE FOR RTFS (FROM 15/10/04)
140	6WTRORIT00	1	TRONCHETTO DI RITORNO RTFS (Fino al 15/10/04)	RETURN STUB PIPE FOR RTFS (UNTIL 15/10/04)
	6WTRORIT01	1	TRONCHETTO DI RITORNO RTFS (Dal 15/10/04)	RETURN STUB PIPE FOR RTFS (FROM 15/10/04)
141	6WTROSCA00	1	TRONCHETTO DI SCARICO RITORNO RTFS	RETURN DRAIN STUB PIPE FOR RTFS
142	6WTUPRFU00	1	TUBO PRELIEVO FUMI RTFS	FLUE GAS INTAKE PIPE FOR RTFS
143	6WVENFUM00	1	VENTILATORE FUMI RTFS 18-24	FLUE GAS FAN FOR RTFS 18-24
	6WVENFUM01	1	VENTILATORE FUMI RTFS 32-36	FLUE GAS FAN FOR RTFS 32-36
145	6WVETISP00	5	GUARNIZIONE IN SILICONE CON VETRINO D49MM	SILICONE GASKET WITH GLASS D49MM
146	6WGUAROR00	10	GUARNIZIONE O-RING PER GLI IMPIANTI DI GAS	O-RING SEAL FOR GAS SYSTEMS
147	6WPREPRB00	3	PRESA DI PRESSIONE	PRESSURE TUBE FOR
148	6WVENBAL00	1	VENTURI PER VENTILATORE	VENTURI FAN TUBE FOR
Corpo Scambiatore				
1	6ELESCPR02	1	Elemento anteriore	FRONT HEAT EXCHANGER ELEMENT
2	6ELESCME02	1	Elemento intermedio	MIDDLE HEAT EXCHANGER ELEMENT
3	6ELESCUL02	1	Elemento posteriore lavorato 1"1/2	REAR HEAT EXCHANGER ELEMENT, 1"1/2
	6ELESCUL03	1	Elemento posteriore lavorato 1"1/4	REAR HEAT EXCHANGER ELEMENT, 1"1/4
4	6GUARMOZ00	4	Guarnizione tenuta mozzi	GASKET
5	6ANEGUAR00	4	Anello contenimento guarnizione tenuta mozzi	GASKET RING
	6TIRCORP08	4	Tirante M10x605 (HP2-36/57)	M10X605 (HP2-36/57) TIE ROD
6	6TIRCORP09	4	Tirante M10x815 (HP2-46/76)	M10X815 (HP2-46/76) TIE ROD
	6TIRCORP10	4	Tirante M10x1020 (HP2-60/95)	M10X1020 (HP2-60/95) TIE ROD
	6TIRCORP07	4	Tirante M10x310 (LP2-23)	M10X310 (LP2-23) TIE ROD
	6TIRCORP06	4	Tirante M10x410 (LP2-34)	M10X410 (LP2-34) TIE ROD
7	6GUARNIZ10	5	Guarnizione 1" 1/4	1" 1/4 GASKET
8	6TUBDIST02	1	Tubo distributore (HP2-36/57)	HP2-36/57 WATER DISTRIBUTING PIPE
	6TUBDIST03	1	Tubo distributore (HP2-46/76)	HP2-46/76 WATER DISTRIBUTING PIPE
	6TUBDIST04	1	Tubo distributore (HP2-60/95)	HP2-60/95 WATER DISTRIBUTING PIPE
	6GUADIST01	3	Guarnizione per tubo distributore	WATER DISTRIBUTING PIPE GASKET
10	6WRIDGHI00	1	Tappo 1" 1/4 riduzione 1/2"	1" 1/4 TO 1/2" CAP
11	6RUBISCA04	1	Rubinetto scarico impianto	SYSTEM DISCHARGE TAP
12	6GUAFLAR00	1	Guarnizione flangia ricambio	GASKET FOR SYSTEM DISCHARGE TAP FLANGE
13	6FLASVUR00	1	Flangia di svuotamento ricambio	SYSTEM DISCHARGE FLANGE
14	6RUBISCR00	1	Rubinetto scarico impianto 3/4" ricambio	3/4" SYSTEM DISCHARGE TAP
15	6PORTBUT01	1	Guaina 3/4"x220 - 4 impronte con molla fissaggio	3/4"X220 BULB HOLDER (4 PRINT AND SPRING)

16	6RIDUZIO00	1	Riduzione 1-1/4"-3/4" per quaina e manometro	1-1/4" TO 3/4" ADAPTER FOR BULB HOLDER AND MANOMETER
Quadro elettrico				
1	6Y41038100	1	CAVO MASSA PIEZO	PIEZO WIRE
2	6Y41116000	5	FISSACAVO	CABLE CLIP
3	6CABSEGI03	1	CABLAGGIO SPIA GIALLA RISCALDAMENTO	HEATING YELLOW SIGNAL LAMP CABLE
4	6CABSERO02	1	CABLAGGIO SPIA ROSSA SOVRATEMPERATURA	OVERHEATING RED SIGNAL LAMP CABLE
5	6CABSEGI04	1	CABLAGGIO SPIA GIALLA RISC. PER 70-100	HEATING YELLOW SIGNAL LAMP CABLE 70-100
6	6CAVOPON00	3	CAVO PONTICELLI	JUMPER CABLE
7	6CAVPOMS00	1	CAVO POMPA SANITARIO	DHW PUMP CABLE
8	6WTERREG00	1	TERMOSTATO DI REGOLAZIONE TR2G 50-80°C	REGULATION THERMOSTAT TR2G 50-80°C
9	6WTERFUM00	1	TERMOSTATO FUMI LS1 90°C 18-48	FLUE GAS THERMOSTAT LS1 90°C 18-48
	6WTERFUM01	1	TERMOSTATO FUMI LS1 67°C 60-100	FLUE GAS THERMOSTAT LS1 67°C 60-100
10	6WQUADEL00	1	LAMIERA DEL QUADRO ELETTRICO	ELECTRIC BOX SHEET
11	6CIRCSTA00	1	CIRCUITO STAMPATO RISCALDAMENTO	CH PRINTED CIRCUIT
12	6COLLEGA07	1	CONNETTORE A TS E TR	CONNECTOR TO TS AND TR
13	6COLLEGA12	1	COLLEGAMENTI CON IG (SOLO PER RDB2)	CONNECTIONS WITH IG (FOR RDB2 ONLY)
14	6COLLEGA26	1	CONNESSIONE PER ALIMENTAZIONE	POWER SUPPLY CONNECTION
15	6DISTSTA00	10	DISTANZIALE CIRCUITO STAMPATO	PRINTED CIRCUIT SPACER
16	6DISTSTA01	10	DISTANZIALE CIRCUITO STAMPATO L=22,2MM	PRINTED CIRCUIT SPACER L=22,2MM
17	6INTERRU01	3	INTERRUTTORE GENERALE LUMINOSO	ILLUMINATED MASTER SWITCH
18	6MANOTER00	5	MANOPOLA DI REGOLAZIONE	REGULATION KNOB
19	6PANNELL09	1	PANNELLO PORTA STRUMENTI	INSTRUMENT HOLDER PANEL
20	6PONESTI00	3	PONTE ESCLUSIONE TIMER	TIMER CUT-OUT JUMPER
21	6PONESTM00	1	PONTE ESCLUSIONE TM (PREDISPOSTI BOLLITORE)	CUT-OUT JUMPER TM
22	6PONRISC00	1	PONTE ESCLUSIONE TM	CUT-OUT JUMPER TM
23	6PONRISC01	1	PONTE ESCLUSIONE TIMER (MODELLO SENZA BOLL.)	TIMER CUT-OUT JUMPER
24	6TAPPINT00	5	TAPPO INTERRUTTORE	SWITCH CAP
25	6TAPPMAN00	5	TAPPO MANOPOLA	KNOB CAP
26	6TAPSPLU00	10	TAPPO SPIA LUMINOSO	ILLUMINATED LIGHT CAP (NATURAL DRAFT ONLY)
27	6TERMOID00	1	TERMOIDROMETRO D40	THERMOMANOMETER + WATER GAUGE D40
28	6TERMOMT01	1	TERMOMETRO DI REGOLAZIONE CAP.1,5MT	CAPILLARY THERMOMETER 1.5M
29	6TERMSIC00	1	TERMOSTATO DI SICUREZZA LS1 110° C	SAFETY THERMOSTAT LS1 110° C
30	6WCACFCA00	1	CABLAGGIO CONTROLLO FIAMMA BALI-ALTAIR RTN E 18-48	FLAME CONTROL CABLE FOR BALI-ALTAIR RTN E 18-48
	6WCACFCA01	1	CABLAGGIO CONTROLLO FIAMMA BALI-ALTAIR RTN E 60-100	FLAME CONTROL CABLE FOR BALI-ALTAIR RTN E 60-100
	6WCACFST00	1	CABLAGGIO CONTR. FIAMMA BALI-ALTAIR 18-36 RTFS E	FLAME CONTROL CABLE FOR BALI-ALTAIR 18-36 RTFS E
31	6WCOTEAT00	3	COLLEGAMENTO TERRA E ALTA TENSIONE 18-48	EARTHING AND HIGH-VOLTAGE CONN. 18-48
32	6WPONTTS00	3	PONTICELLO TERMOSTATO DI SIC. CONT.FIAMMA	JUMPER FOR FLAME CONTROL THERMOSTAT
33	6WCAPGAS00	1	CABLAGGIO COLLEGAMENTO PRESS.GAS	GAS PRESSURE SWITCH CONNECTION CABLE
34	6WCOCAAC00	1	COLLEGAMENTO CANDELA D'ACCENSIONE RTN E - PVE	IGNITION SPARK PLUG CONNECTION FOR RTN E - PVE
	6WCOCAAC01	1	COLLEGAMENTO CANDELA D'ACCENSIONE RTFS E	IGNITION SPARK PLUG CONNECTION FOR RTFS E
	6WCODIME00	1	COLLEGAMENTO ACCENSIONE PIEZO RTN - RTN PV	PIEZOELECTRIC IGNITER CONNECTION RTN - RTN PV
35	6WCOPAEV00	1	COLLEGAMENTO PARALLELO ELETTRIODI	ELECTRODES PARALLEL CONNECTION
36	6WCOCARI00	1	COLLEGAMENTO CANDELA DI RILEVAZIONE RTN E - PVE	DETECTION SPARK PLUG CONNECTION FOR RTN E - PVE
	6WCOCARI01	1	COLLEGAMENTO CANDELA DI RILEVAZIONE RTFS E	DETECTION SPARK PLUG CONNECTION FOR RTFS E
37	6WCOSETF00	3	COLLEGAMENTO NEUTRO 70-100 RTN - E	NEUTRAL CONNECTION FOR 70-100 RTN - E
38	6WCONNCS00	3	CONNETTORE 5 POLI PER CIRCUITO STAMPATO	5-POLE CONNECTOR FOR PRINTED CIRCUIT
39	6WCOEVNO00	1	COLLEGAMENTO ELETTRIO-VALVOLA GAS 18-48	GAS SOLENOID VALVE CONNECTION FOR 18-48
40	6WPULSBL00	3	PULSANTE DI SBLOCCO DEL BRUCIATORE	BURNER RELEASE BUTTON

